



**fireplace stoves • tile stoves • cookers**

THORMA Výroba s.r.o. – limited partnership is a company that was established in 1998 and it continues in almost one hundred year tradition of ex-manufacturing corporation Kovosmalt Fiřakovo.



It became familiar to customers mainly by high-quality products with a long-time tradition, which are in compliance with demanding requirements of European standards. Crucial productive activity is the production of stoves, fireplaces and ovens for solid fuel, enamelled products, components for automobile industry and engineering industry. The company exports abroad more than 85% of its production. Its product portfolio has been continually and actively adjusted according to the market demand by own development, design, construction and the testing room.

In 2008 in the states of EU there have been agreed new climate goals for the greenhouse gas reduction. The key to success are renewable resources of energy. Neutral CO<sub>2</sub> is produced by wood combustion in modern heating appliances. The environment is less burdened in that way. Wood from domestic forests is available and the production of wood logs does not require any additional energy.

THORMA has been producing heating appliances that do not burden the environment for many years. Our stoves are protected with heat resistant and water based color. These heating appliances have been tested in compliance with the strict regulations. THORMA heating appliances are sold in almost 20 European countries and their owners are pleased by agreeable and economical warm.

THORMA quality has a future.

## CERTIFICATES

- ①  The abbreviation Conformité Européenne provides security that a product is in compliance with all requirements of EU and that it is provable thanks to the relevant documentation as well.
- ②  Products with this symbol are in compliance with the Austrian law for protection of the environment against harmful effects.
- ③  Products with this symbol are in compliance with the 2nd grade of German federal law for protection against air pollution.
- ④  Products with this symbol are in compliance with the requirements of VKF (Cantonal Fire Insurance Association), Swiss coordination center for fire safety.
- ⑤  Products with this symbol are in compliance with the relevant Russian state norm.
- ⑥  Norwegian standard - Products with this symbol are in compliance with the relevant Norwegian state norm. NS 3058-1, NS3058-2, NS3059.
- ⑦  Products under that trade mark correspond to British standards of Defra emissions.
- ⑧  Products must have minimum requirements regarding to energy efficiency. These requirements are qualified as Ecodesign requirements and their goals are to reduce the product's negative impact on the environment throughout its entire life cycle.

Unbranded product



Combustion efficiency

## Contents

Fireplace stoves 3 – 12 Kw.....	4
Fireplace stoves 12 kW .....	14
Fireplace stoves 8 – 17 kW .....	16
Fireplace inlays .....	20
Cookers .....	24
Tile stoves .....	28
Accessories .....	32

81%

Efficiency



External air supply



Accumulation refractory\*\*



Storage space



Cooking plate



Oven



Flue outlet – top



Flue outlet – back



Flue outlet – side

## COLOR VERSIONS



Beige



White



Black



Brown



Stainless steel



Grey



Winered

## NATURAL STONES



Soapstone



Sandstone

## COLOR OF CERAMICS



White satin



Bordeaux



Bordeaux



Black



Chestnut



Olive green



Ivory



Terracotta



Dark brown

\*briquette

\*\*Possibility to add accumulation refractory

The producer limits himself the right for technical and appearance changes of the products. On the basis of this the customer can not submit a warranty claim for the product.

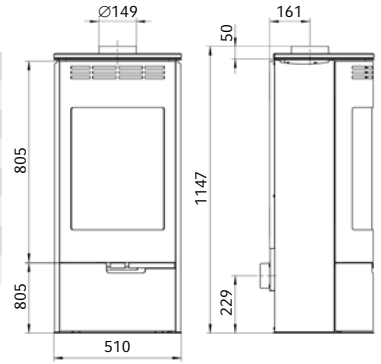






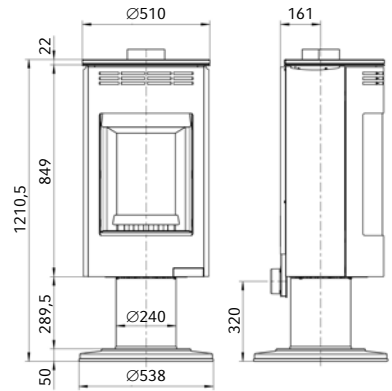
## ANDORRA

Weight	94 kg
Regulation range	3,8 ÷ 11,2 kW
Heat capacity	98 ÷ 180 m <sup>3</sup>
Flue outlet	top
Fuel	wood
Flue gas flow wood	6,9 g/s
Draught	12 Pa
Certificates	1, 2, 3, 5, 6, 7, 8



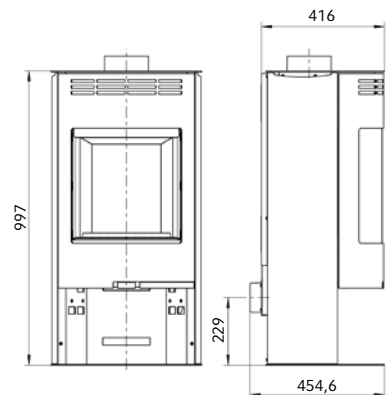
## ANDORRA Exclusive

Weight	110 kg
Regulation range	3,8 ÷ 11,2 kW
Heat capacity	98 ÷ 180 m <sup>3</sup>
Flue outlet	top
Fuel	wood
Flue gas flow wood	6,9 g/s
Draught	12 Pa
Certificates	1, 2, 3, 5, 6, 7, 8



## ZARAGOZA

Weight	91 kg
Regulation range	2,5 ÷ 7,5 kW
Heat capacity	48 ÷ 124 m <sup>3</sup>
Flue outlet	top
Fuel	wood, briquette
Flue gas flow wood	5,9 / 6,1 g/s
Draught	10/ 12 Pa
Certificates	1, 2, 3, 5, 7, 8





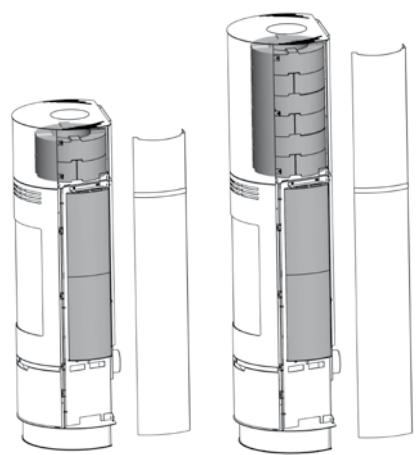
## COMBUSTION REGULATION

THORMA electronic combustion control is designed and tested only for THORMA fireplace stoves and inserts. Installation of electronic combustion control is quick but is recommended to be carried out by a qualified person. Thanks to the regulation, you can reduce the fuel consumption and consequently save on your operating costs. Regulation is designed and tested to reduce the amount of emissions that occur during the process of solid fuel combustion (wood, brown coal briquettes).



## ACCUMULATION

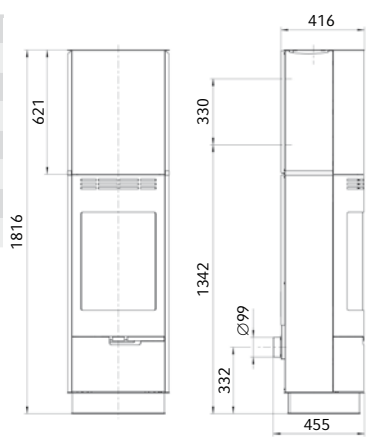
Heat accumulation rings and stone cladding in SEVILLA and SANTANDER models will prolong the radiation time by up to 6 hours. SEVILLA can hold a maximum of 12 half-rings weighing 57.6 kg and 4 stones weighing 21.2 kg. SANTANDER can accommodate 4 half-rings and 4 stones with a total weight of 40.4 kg.



## SEVILLA



Weight	120 kg
Regulation range	3,8 ÷ 11,2kW
Heat capacity	98 ÷ 180 m³
Flue outlet	top, back
Fuel	wood
Flue gas flow wood	6,9 g/s
Draught	12 Pa
Certificates	1, 2, 3, 5, 6, 7, 8



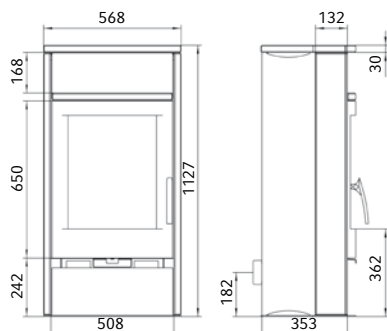


## ALVESTA Sandstone

Weight	136 kg
Regulation range	4 ÷ 12 kW
Heat capacity	98 ÷ 190 m <sup>3</sup>
Flue outlet	top
Fuel	wood, briquette
Flue gas flow wood/briquette	7,9 / 7,7 g/s
Draught	11 / 12 Pa
Certificates	1, 2, 3, 4, 5, 7, 8



80%

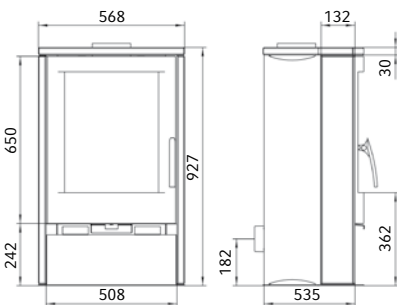


## ALVESTA II Soapstone

Weight	134 kg
Regulation range	4 ÷ 12 kW
Heat capacity	98 ÷ 190 m <sup>3</sup>
Flue outlet	top
Fuel	wood, briquette
Flue gas flow wood/briquette	7,9 / 7,7 g/s
Draught	11 / 12 Pa
Certificates	1, 2, 3, 4, 5, 7, 8



80%

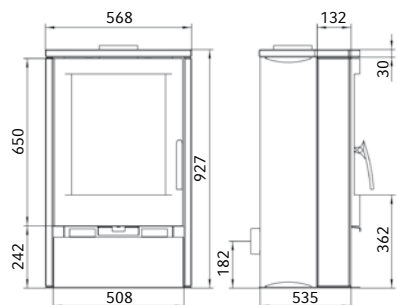


## ALVESTA II Steel

Weight	91 kg
Regulation range	4 ÷ 12 kW
Heat capacity	98 ÷ 190 m <sup>3</sup>
Flue outlet	top
Fuel	wood, briquette
Flue gas flow wood/briquette	7,9 / 7,7 g/s
Draught	11 / 12 Pa
Certificates	1, 2, 3, 4, 5, 7, 8



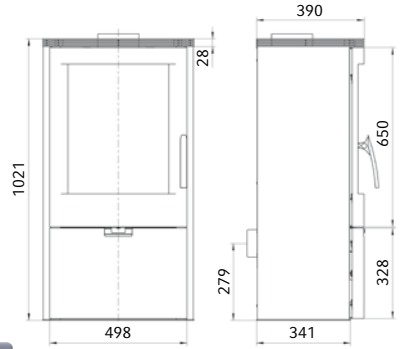
80%





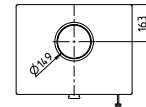
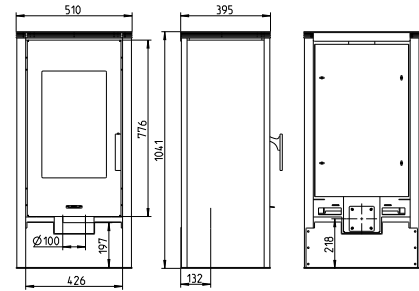
## FALUN II

Weight	108 kg
Regulation range	3,5 ÷ 10,5 kW
Heat capacity	98 ÷ 165 m <sup>3</sup>
Flue outlet	top
Fuel	wood, briquette
Flue gas flow wood/briquette	7,9 / 7,7 g/s
Draught	11 / 12 Pa
Certificates	1, 2, 3, 4, 5, 7, 8



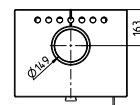
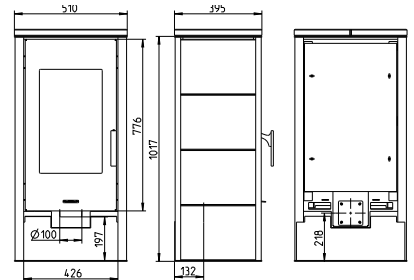
## FALUN II UNI Steel

Weight	112 kg
Regulation range	3,5 ÷ 10,5 kW
Heat capacity	98 ÷ 165 m <sup>3</sup>
Flue outlet	top
Fuel	wood, briquette
Flue gas flow wood/briquette	7,9 / 7,7 g/s
Draught	11 / 12 Pa
Certificates	1, 2, 3, 4, 5, 7, 8



## FALUN II UNI Serpentino

Weight	128 kg
Regulation range	3,5 ÷ 10,5 kW
Heat capacity	98 ÷ 165 m <sup>3</sup>
Flue outlet	top
Fuel	wood, briquette
Flue gas flow wood/briquette	7,9 / 7,7 g/s
Draught	11 / 12 Pa
Certificates	1, 2, 3, 4, 5, 7, 8

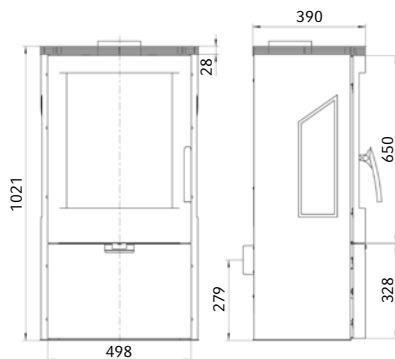




## WIKANTICA



Weight	100 kg
Regulation range	4 ÷ 12 kW
Heat capacity	98 ÷ 190 m <sup>3</sup>
Flue outlet	top
Fuel	wood, briquette
Flue gas flow wood/briquette	7,9 / 7,7 g/s
Draught	11 / 12 Pa
Certificates	1, 2, 3, 4, 5, 7, 8



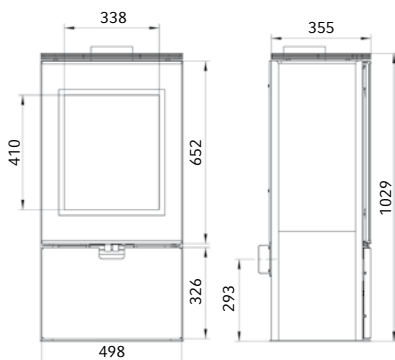
80%



## CREMONA Top



Weight	109 kg
Regulation range	4 ÷ 12 kW
Heat capacity	98 ÷ 190 m <sup>3</sup>
Flue outlet	top
Fuel	wood, briquette
Flue gas flow wood/briquette	7,9 / 7,7 g/s
Draught	11 / 12 Pa
Certificates	1, 2, 3, 4, 5, 7, 8



80%

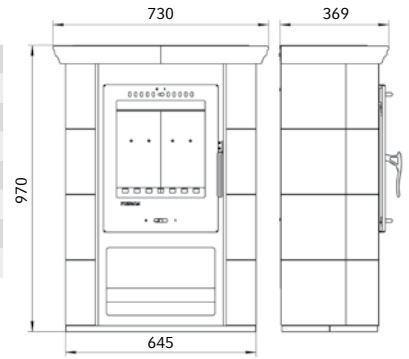






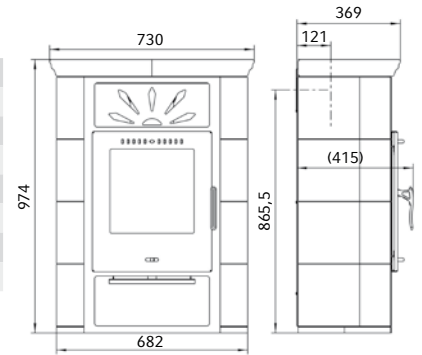
### BORGHOLM Ceramic

Weight	113 kg
Regulation range	3,5 ÷ 10,5 kW
Heat capacity	98 ÷ 165 m <sup>3</sup>
Flue outlet	top
Fuel	wood
Flue gas flow wood	5,6 g/s
Draught	12 Pa
Certificates	1, 2, 3, 4, 5, 7, 8



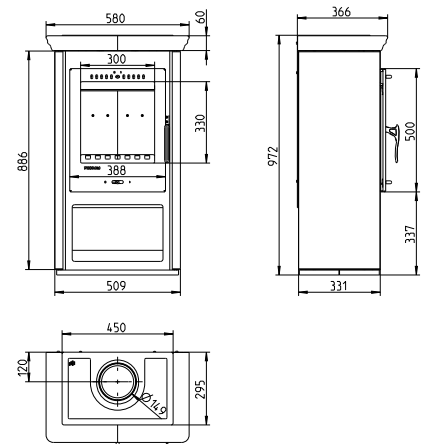
### BORGHOLM TOP Ceramic

Weight	124 kg
Regulation range	3,5 ÷ 10,5 kW
Heat capacity	98 ÷ 165 m <sup>3</sup>
Flue outlet	top, back
Fuel	wood
Flue gas flow wood/briquette	5,6 g/s
Draught	12 Pa
Certificates	1, 2, 3, 4, 5, 7, 8



### BORGHOLM Enamel

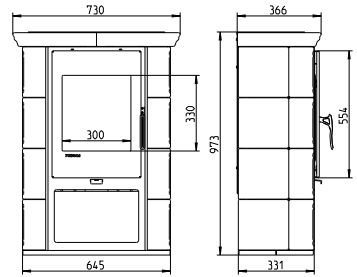
Weight	85 kg
Regulation range	3,5 ÷ 10,5 kW
Heat capacity	98 ÷ 165 m <sup>3</sup>
Flue outlet	top
Fuel	wood
Flue gas flow wood	5,6 g/s
Draught	12 Pa
Certificates	1, 2, 3, 4, 5, 7, 8



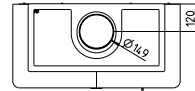


### BORGHOLM Exclusive

Weight	115 kg
Regulation range	3 ÷ 9 kW
Heat capacity	165 m <sup>3</sup>
Flue outlet	top
Fuel	wood
Flue gas flow wood	5,4 g/s
Draught	12 Pa
Certificates	1, 3, 8

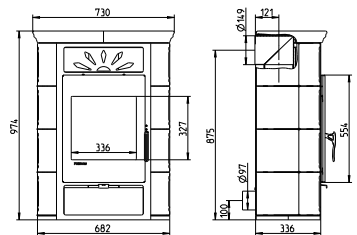


78%

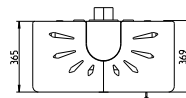


### BORGHOLM Top Exclusive

Weight	131 kg
Regulation range	3 ÷ 9 kW
Heat capacity	165 m <sup>3</sup>
Flue outlet	top
Fuel	wood
Flue gas flow wood/briquette	5,4 g/s
Draught	12 Pa
Certificates	1, 3, 8



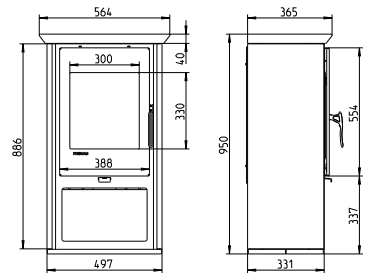
78%





### ODENSE Serpentino

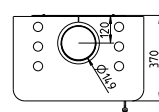
Weight	136 kg
Regulation range	3 ÷ 9 kW
Heat capacity	165 m <sup>3</sup>
Flue outlet	top
Fuel	wood
Flue gas flow wood	5,4 g/s
Draught	12
Certificates	1, 3, 8



78%



A

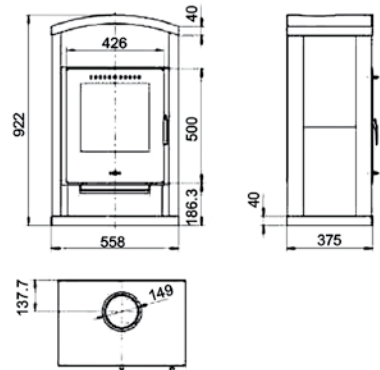




## HÖRBY S



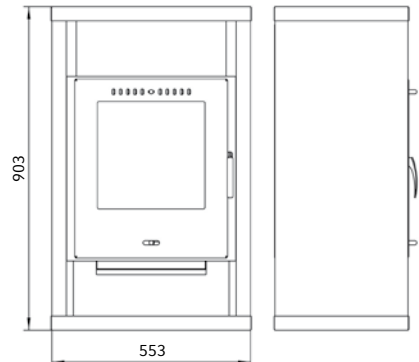
Weight	92 kg
Regulation range	3,5 ÷ 10,5
Heat capacity	98 ÷ 165 m <sup>3</sup>
Flue outlet	top
Fuel	wood
Flue gas flow wood	5,6 g/s
Draught	12 Pa
Certificates	1, 2, 3, 4, 5, 7, 8



## HÖRBY



Weight	82 kg
Regulation range	3,5 ÷ 10,5
Heat capacity	98 ÷ 165 m <sup>3</sup>
Flue outlet	top
Fuel	wood
Flue gas flow wood	5,6 g/s
Draught	12 Pa
Certificates	1, 2, 3, 4, 5, 7, 8

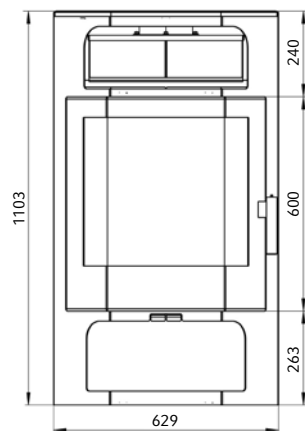




## FRANKFURT



Weight	153 kg
Regulation range	4,5 ÷ 13,5 kW
Heat capacity	98 ÷ 200 m <sup>3</sup>
Flue outlet	top
Fuel	wood
Flue gas flow wood	7,5 g/s
Draught	12 Pa
Certificates	1, 2, 3, 5, 8

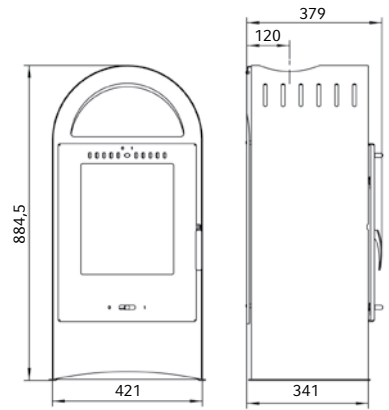






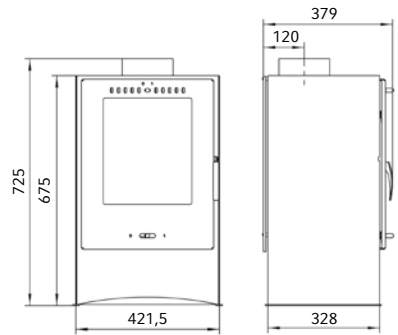
## BASEL II

Weight	60 kg
Regulation range	3,5 ÷ 10,5 kW
Heat capacity	98 ÷ 165 m <sup>3</sup>
Flue outlet	top
Fuel	wood
Flue gas flow wood	5,6 g/s
Draught	12 Pa
Certificates	1, 2, 3, 5, 7, 8



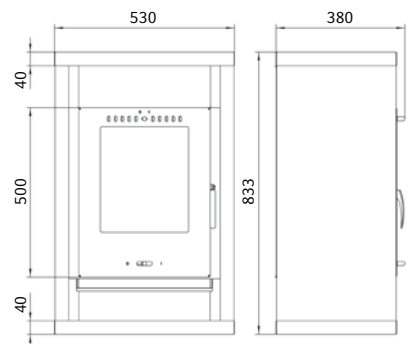
## SKAL II

Weight	58 kg
Regulation range	3,5 ÷ 10,5 kW
Heat capacity	98 ÷ 165 m <sup>3</sup>
Flue outlet	top
Fuel	wood
Flue gas flow wood	5,6 g/s
Draught	12 Pa
Certificates	1, 2, 3, 5, 7, 8



## GENT

Weight	66 kg
Regulation range	2,5 ÷ 7,5 kW
Heat capacity	48 ÷ 124 m <sup>3</sup>
Flue outlet	top
Fuel	wood
Flue gas flow wood	4,4 g/s
Draught	11 Pa
Certificates	1, 2, 3, 5, 8





# BILBAO UNI AND MALLORCA UNI



box



bench



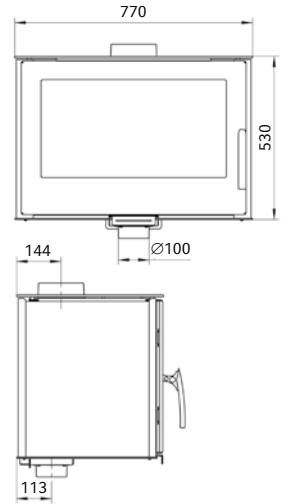
leg

### BILBAO UNI (flat door)\*



Weight	130 kg**
Regulation range	6 ÷ 17 kW
Heat capacity	120 ÷ 220 m <sup>3</sup>
Flue outlet	top
Fuel	wood
Flue gas flow wood	8 g/s
Draught	12
Certificates	1, 3, 5, 8

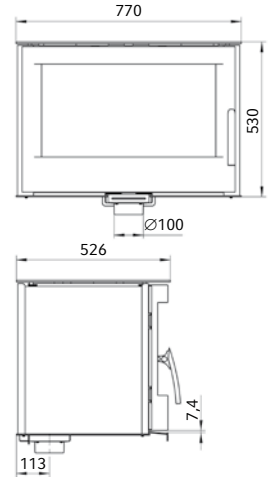
\*leg sold separately  
\*\* weight without leg



### MALLORCA UNI (round door)\*

Weight	135 kg**
Regulation range	6 ÷ 17 kW
Heat capacity	120 ÷ 220 m <sup>3</sup>
Flue outlet	vrchné
Fuel	drevo
Flue gas flow wood	8 g/s
Draught	12 Pa
Certificates	1, 3, 5, 8

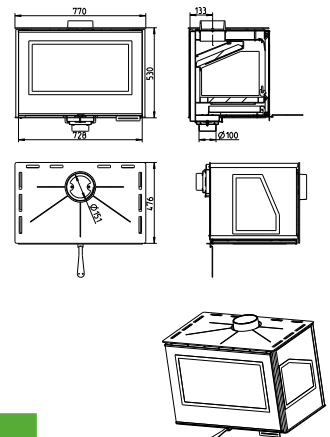
\* pedestal on sale separately  
\*\* weight without pedestal



### MONACO UNI

Weight	132 kg**
Regulation range	6 ÷ 17 kW
Heat capacity	120 ÷ 220 m <sup>3</sup>
Flue outlet	top
Fuel	wood
Flue gas flow wood	8 g/s
Draught	12 Pa
Certificates	1, 3, 5, 8

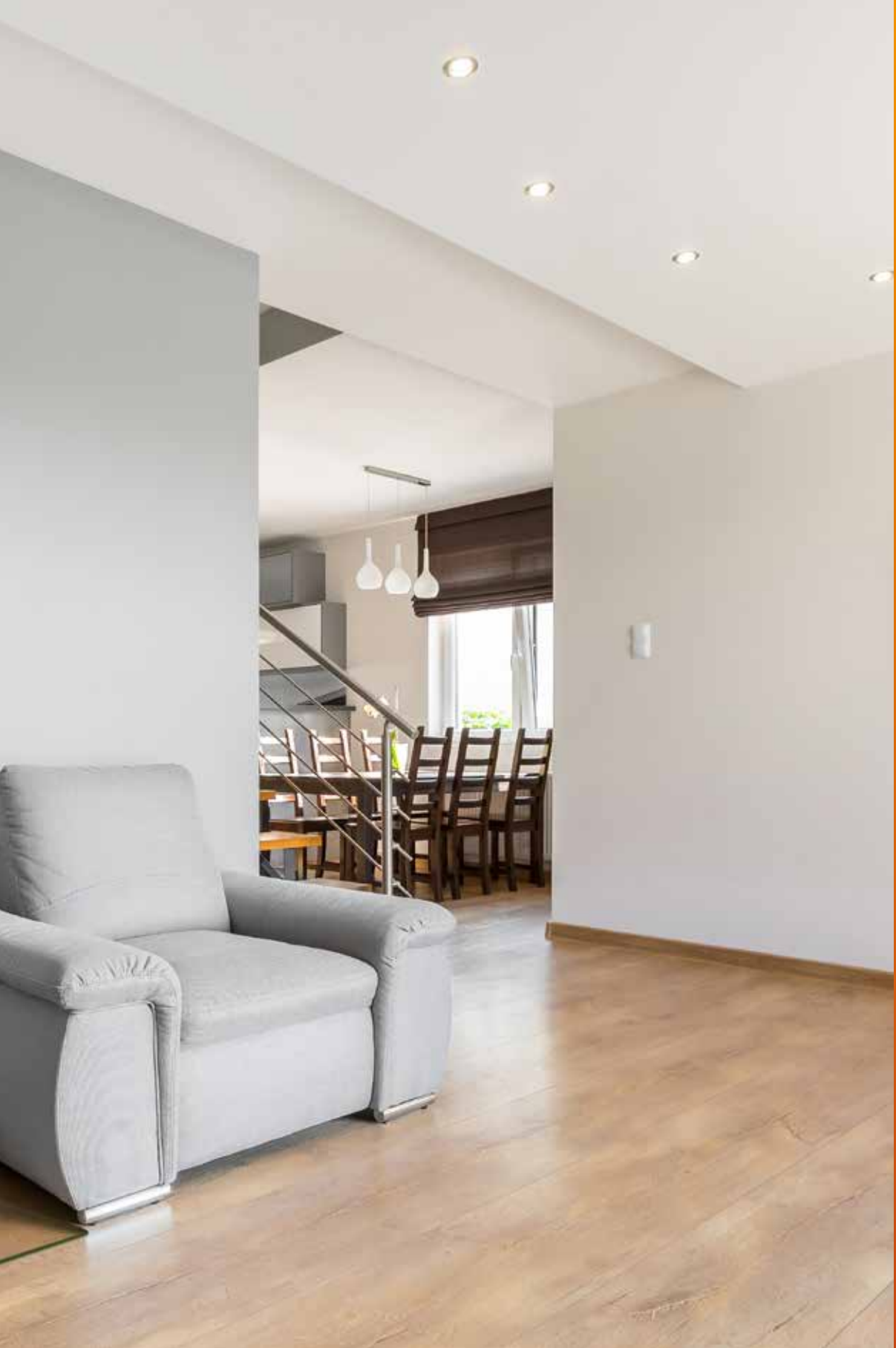
\* pedestal on sale separately  
\*\* weight without pedestal





FIREPLACE STOVES 8 – 17 KW





**FIREPLACE STOVES 8 – 17 KW**

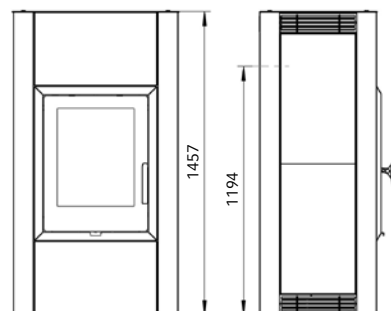




### FOREST ALICANTE



Weight	274 kg
Regulation range	4 ÷ 12 kW
Heat capacity	98 ÷ 190 m <sup>3</sup>
Flue outlet	top, back
Fuel	wood, briquette
Flue gas flow wood/briquette	7,9 / 7,7 g/s
Draught	11 / 12 Pa
Certificates	1, 2, 3, 5, 8



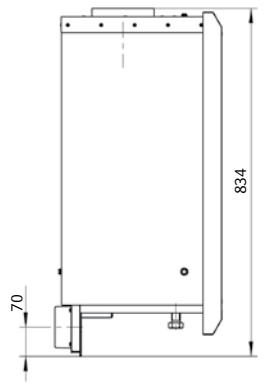
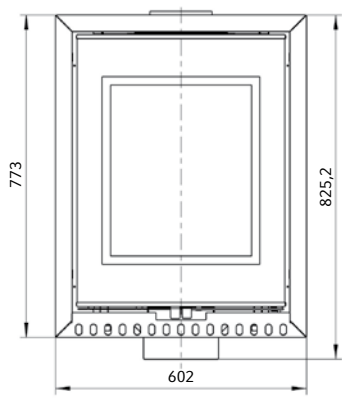


FIREPLACE INLAYS



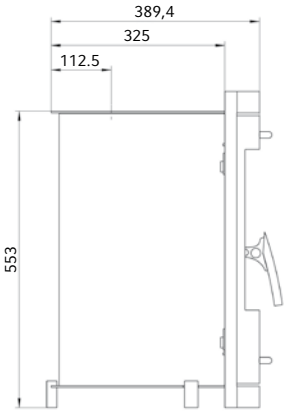
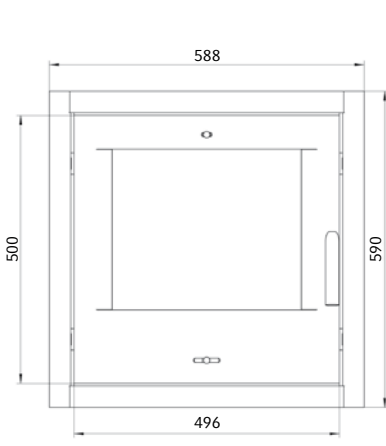
## ALMERIA

Weight	71 kg
Regulation range	4 ÷ 12 kW
Heat capacity	98 ÷ 190 m <sup>3</sup>
Flue outlet	top
Fuel	wood, briquette
Flue gas flow wood/briquette	7,9 / 7,7 g/s
Draught	11 / 12 Pa
Certificates	1, 2, 3, 5, 8



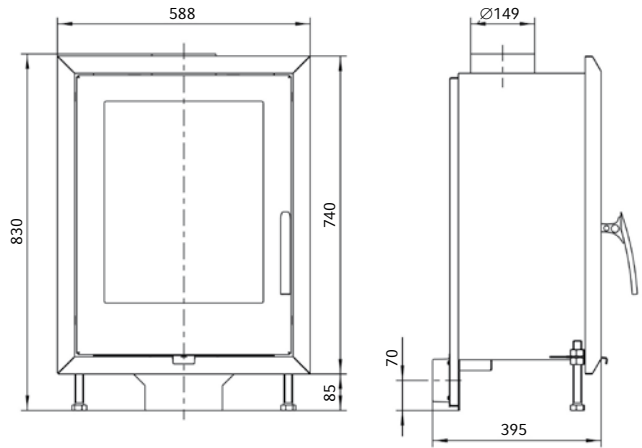
## DOMINO III

Weight	69 kg
Regulation range	3,5 ÷ 10,5 kW
Heat capacity	98 ÷ 165 m <sup>3</sup>
Flue outlet	vrchné
Fuel	wood
Flue gas flow wood	5,6 g/s
Draught	12 Pa
Certificates	1, 2, 3, 5, 7, 8



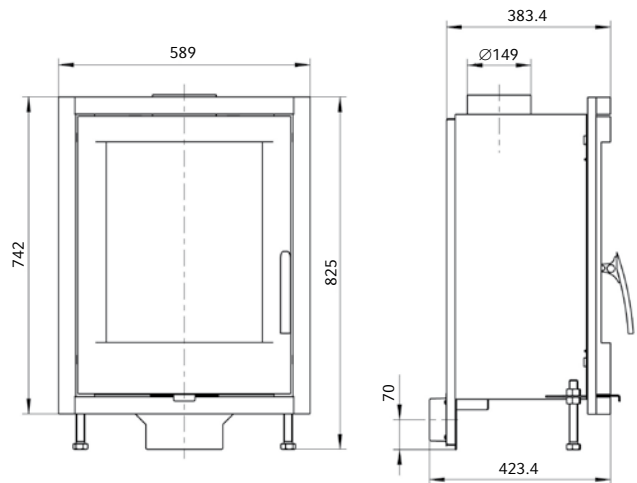
## ALICANTE

Weight	61 kg
Regulation range	4 ÷ 12 kW
Heat capacity	98 ÷ 190 m <sup>3</sup>
Flue outlet	top
Fuel	wood, briquette
Flue gas flow wood/briquette	7,9 / 7,7 g/s
Draught	11 / 12 Pa
Certificates	1, 2, 3, 5, 8



## VALENCIA

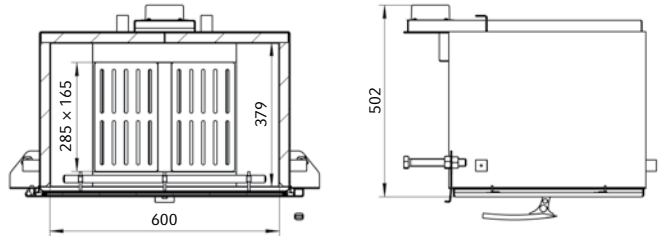
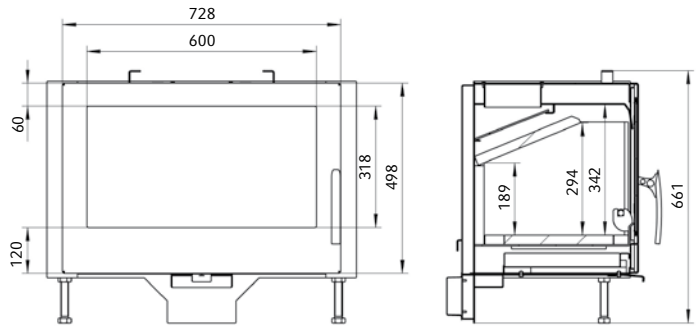
Weight	75 kg
Regulation range	4 ÷ 12 kW
Heat capacity	98 ÷ 190 m <sup>3</sup>
Flue outlet	top
Fuel	wood, briquette
Flue gas flow wood/briquette	7,9 / 7,7 g/s
Draught	11 / 12 Pa
Certificates	1, 2, 3, 5, 8





### LANDSCAPE

Weight	100 kg
Regulation range	6 ÷ 17 kW
Heat capacity	120 ÷ 220 m <sup>3</sup>
Flue outlet	top
Fuel	wood
Flue gas flow wood	8 g/s
Draught	12 Pa
Certificates	1, 3, 5, 8

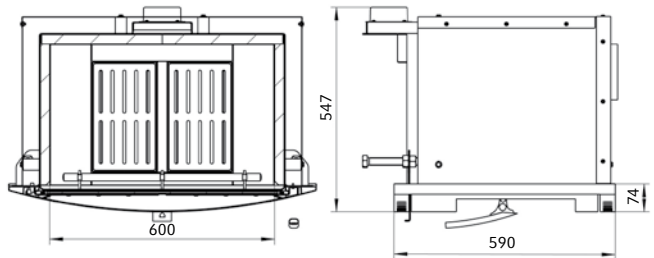
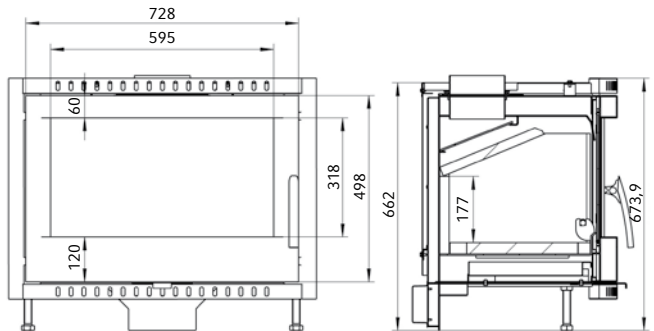






## LIVORNO

Weight	106 kg
Regulation range	6 ÷ 17 kW
Heat capacity	120 ÷ 220 m <sup>3</sup>
Flue outlet	top
Fuel	wood
Flue gas flow wood	8 g/s
Draught	12 Pa
Certificates	1, 3, 5, 8





### ÖKONOM 75/FIKO DeLuxe

Weight	126 kg
Regulation range	3,5 ÷ 10,5 kW
Heat capacity	82 ÷ 205 m <sup>3</sup>
Flue outlet	top, back, side
Fuel	wood
Flue gas flow wood	9,9 g/s
Draught	12 Pa
Certificates	1, 2, 3, 5, 8



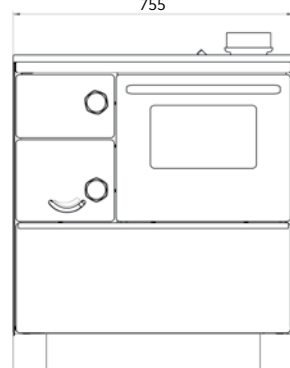
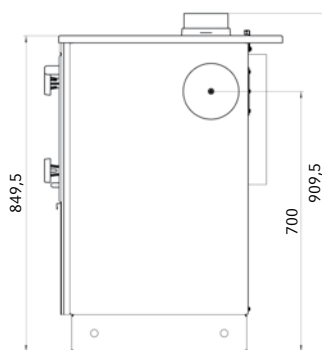
right version



left version

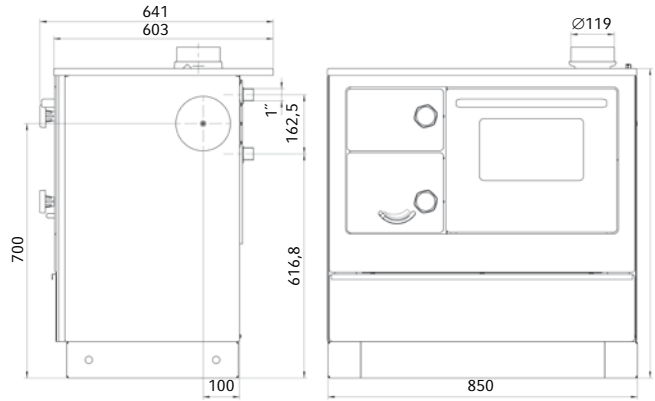


755



## ÖKONOM 85/FIKO DeLuxe

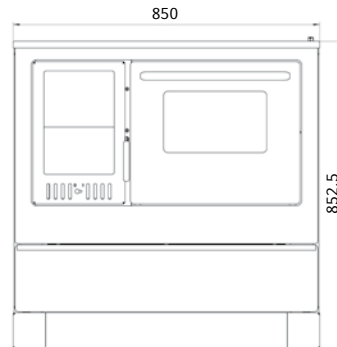
Weight	138 kg
Regulation range	3,5 ÷ 10,5
Heat capacity	82 ÷ 205 m <sup>3</sup>
Flue outlet	top, back, side
Fuel	wood
Flue gas flow wood	9,9 g/s
Draught	12 Pa
Certificates	1, 2, 3, 5, 8



## ÖKONOM 85/FIKO Excellent OP (Steel plate\*)

Weight	138 kg
Regulation range	3,5 ÷ 10,5 kW
Heat capacity	82 ÷ 205 m <sup>3</sup>
Flue outlet	top, side, back
Fuel	wood
Flue gas flow wood	9,9 g/s
Draught	12 Pa
Certificates	1, 2, 3, 5, 8

\* v ponuke aj s ceranovou platňou



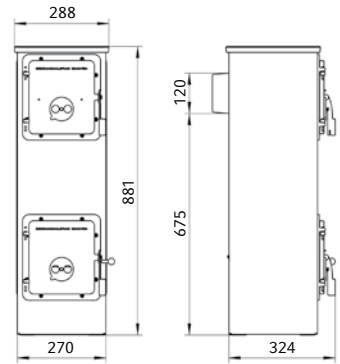




## KERPEN II AT



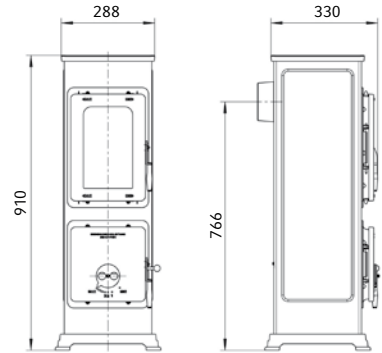
Weight	58 kg
Regulation range	2,5 ÷ 7,5 kW
Heat capacity	48 ÷ 124 m <sup>3</sup>
Flue outlet	back
Fuel	wood
Flue gas flow wood	4,3 g/s
Draught	10 Pa
Certificates	1, 2, 3, 4, 5, 8



## BOZEN AT



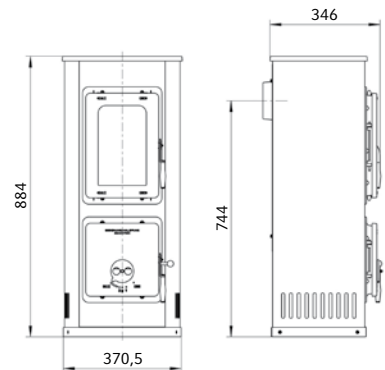
Weight	63 kg
Regulation range	2,5 ÷ 7,5 kW
Heat capacity	48 ÷ 124 m <sup>3</sup>
Flue outlet	back
Fuel	wood
Flue gas flow wood	4,3 g/s
Draught	10 Pa
Certificates	1, 2, 3, 4, 5, 8



## VERONA AT



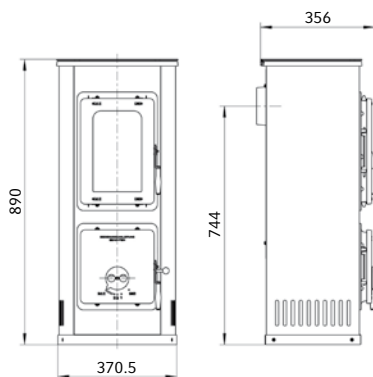
Weight	71 kg
Regulation range	2,5 ÷ 7,5 kW
Heat capacity	48 ÷ 124 m <sup>3</sup>
Flue outlet	back
Fuel	wood
Flue gas flow wood	4,3 g/s
Draught	10 Pa
Certificates	1, 2, 3, 4, 5, 8





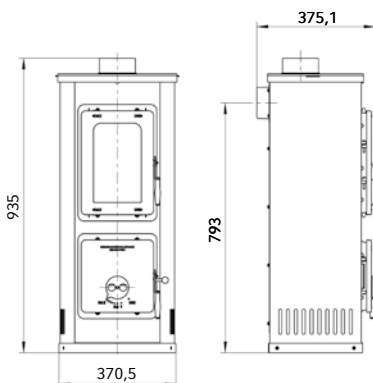
### MILANO II AT

Weight	74 kg
Regulation range	2,5 ÷ 7,5 kW
Heat capacity	48 ÷ 124 m <sup>3</sup>
Flue outlet	back
Fuel	wood
Flue gas flow wood	4,3 g/s
Draught	10 Pa
Certificates	1, 2, 3, 4, 5, 8



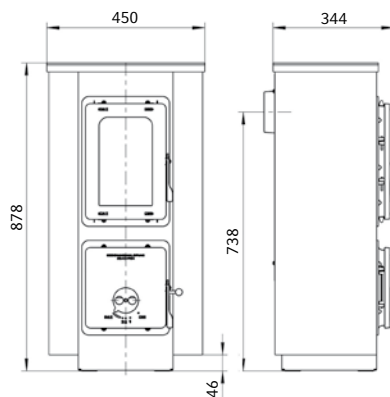
### VERONA Top

Weight	66 kg
Regulation range	2,5 ÷ 7,5 kW
Heat capacity	48 ÷ 124 m <sup>3</sup>
Flue outlet	top
Fuel	wood
Flue gas flow wood	5,6 g/s
Draught	10 Pa
Certificates	1, 3, 5, 8



### MERANO AT

Weight	71 kg
Regulation range	2,5 ÷ 7,5 kW
Heat capacity	48 ÷ 124 m <sup>3</sup>
Flue outlet	back
Fuel	wood
Flue gas flow wood	4,3 g/s
Draught	10 Pa
Certificates	1, 2, 3, 4, 5, 8

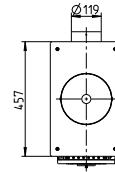
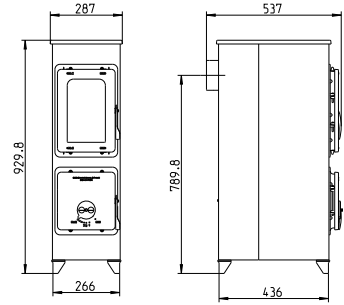






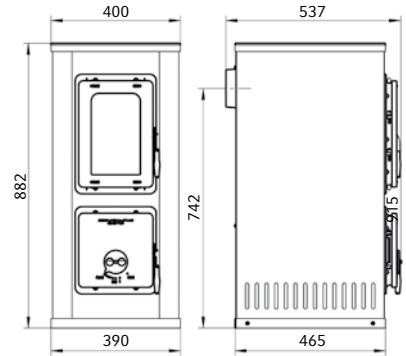
## FLensburg

Weight	61 kg
Regulation range	3,5 ÷ 10,5 kW
Heat capacity	82 ÷ 190 m <sup>3</sup>
Flue outlet	back
Fuel	wood
Flue gas flow wood	7,4 g/s
Draught	12 Pa
Certificates	1, 3, 5, 8



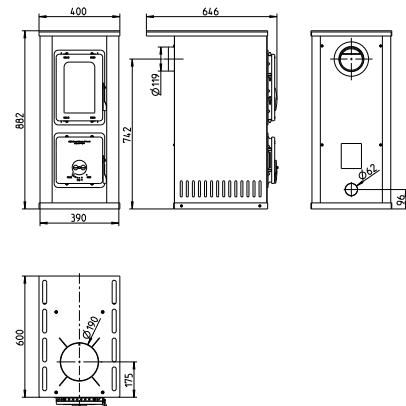
## FLensburg II

Weight	75 kg
Regulation range	3,5 ÷ 10,5 kW
Heat capacity	82 ÷ 190 m <sup>3</sup>
Flue outlet	back
Fuel	wood
Flue gas flow wood	7,4 g/s
Draught	12 Pa
Certificates	1, 3, 5, 8



## FLensburg III

Weight	77 kg
Regulation range	3,5 ÷ 10,5 kW
Heat capacity	82 ÷ 190 m <sup>3</sup>
Flue outlet	back
Fuel	wood
Flue gas flow wood	7,4 g/s
Draught	12 Pa
Certificates	1, 3, 5, 8



FLUE SETS



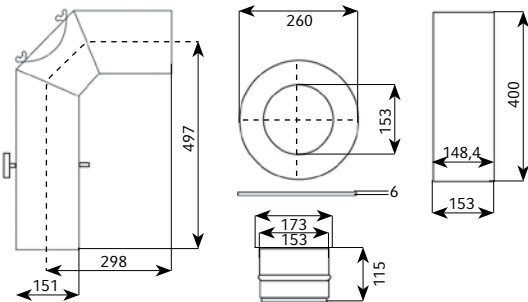
Flue – grey



Flue – black



Flue – brown



WOOD CARRIER



Steel wood rack with powder coating



Wood carrier

GLASS UNDERLAY UNDER THE FIREPLACE



available in steel version as well



Cauldron set 60 l



Fireplace accessories – poker, shovel, brush, stand



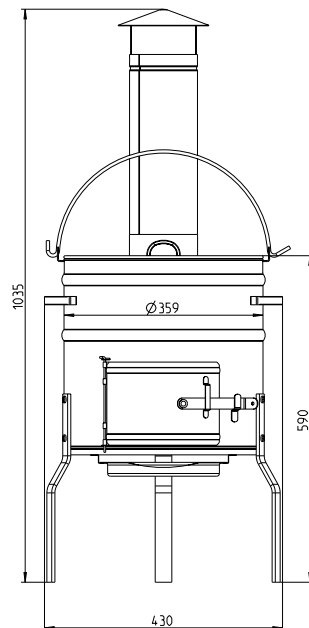
Cauldron 15 l  
(also available in 8 l version)



Grill plate



Cauldron 15l  
(available in 8 l and 60 l version as well)



Model	Output (wood / briquette) [kW]	Efficiency (wood) [%]	Weight net [kg]	Regulation range [kW]	Heat capacity [m <sup>3</sup> ]
<b>COOKERS</b>					
ÖKONOM 75/FIKO DeLuxe	7	76.0	126	3,5 ÷ 10,5	82 ÷ 205
ÖKONOM 85/FIKO Excellent	7	76.0	138	3,5 ÷ 10,5	82 ÷ 205
<b>TILE STOVE</b>					
KERPEN II	5	80.5	58	2,5 ÷ 7,5	48 ÷ 124
MILANO II AT	5	80.5	74	2,5 ÷ 7,5	48 ÷ 124
VERONA AT	5	80.5	71	2,5 ÷ 7,5	48 ÷ 124
VERONA b Top	5	75.1	66	2,5 ÷ 7,5	48 ÷ 124
BOZEN AT	5	80.5	63	2,5 ÷ 7,5	48 ÷ 124
MERANO AT	5	80.5	71	2,5 ÷ 7,5	48 ÷ 124
FLENSBURG	7	75.4	61	3,5 ÷ 10,5	82 ÷ 190
FLENSBURG II	7	75.4	75	3,5 ÷ 10,5	82 ÷ 190
FLENSBURG III	7	75.4	77	3,5 ÷ 10,5	82 ÷ 190
<b>FIREPLACE STOVE</b>					
ZARAGOZA	5	81.2	91	2,5 ÷ 7,5	48 ÷ 124
FRANKFURT	9	80.3	153	4,5 ÷ 13,5	98 ÷ 200
GENT	5	80.2	66	2,5 ÷ 7,5	48 ÷ 124
BORGHOLM Ceramic	7	80.7	113	3,5 ÷ 10,5	98 ÷ 165
BORGHOLM Top Ceramic	7	80.7	124	3,5 ÷ 10,5	98 ÷ 165
BORGHOLM Enamel	7	80.7	85	3,5 ÷ 10,5	98 ÷ 165
BORGHOLM Exclusive	6	78.6	115	3 ÷ 9	165
BORGHOLM Top Exclusive	6	78.6	131	3 ÷ 9	165
ODENSE Serpentino	6	80.4	136	3 ÷ 9	165
ANDORRA	7,5	80.4	94	3,8 ÷ 11,2	98 ÷ 180
SEVILLA	7,5	84.2	120	3,8 ÷ 11,2	98 ÷ 180
ANDORRA Exclusive	7,5	80.4	101	3,8 ÷ 11,2	98 ÷ 180
BASEL II	7	80.7	60	3,5 ÷ 10,5	98 ÷ 165
SKAL II	7	80.7	58	3,5 ÷ 10,5	98 ÷ 165
ALVESTA Sandstone	7,5 / 8	80.1	136	4 ÷ 12	98 ÷ 190
ALVESTA II Soapstone	7,5 / 8	80.1	134	4 ÷ 12	98 ÷ 190
CREMONA Top	7,5 / 8	80.1	109	4 ÷ 12	98 ÷ 190
HÖRBY S	7	80.7	92	3,5 ÷ 10,5	98 ÷ 165
HÖRBY	7	80.7	82	3,5 ÷ 10,5	98 ÷ 165
ALVESTA II Steel	7,5 / 8	80.1	91	4 ÷ 12	98 ÷ 190
FALUN II	7,5 / 8	80.1	108	4 ÷ 12	98 ÷ 190
FALUN II UNI Steel	7,5 / 8	80.1	112	3,5 ÷ 10,5	98 ÷ 165
FALUN II UNI Serpentino	7,5 / 8	80.1	128	3,5 ÷ 10,5	98 ÷ 165
WIKANTICA	7,5 / 8	80.1	100	4 ÷ 12	98 ÷ 190
MALORCA UNI	11,5 / 8,5	76.4	135	6 ÷ 17	120 ÷ 220
BILBAO UNI	11,5 / 8,5	76.4	130	6 ÷ 17	120 ÷ 220
MONACO UNI	11,5 / 8,5	76.4	132	6 ÷ 17	120 ÷ 220
<b>FIREPLACE INLAY</b>					
DOMINO III	7	80.7	69	3,5 ÷ 10,5	98 ÷ 165
ALICANTE	7,5 / 8	80.1	61	4 ÷ 12	98 ÷ 190
VALENCIA	7,5 / 8	80.1	75	4 ÷ 12	98 ÷ 190
ALMERIA	7,5 / 8	80.1	71	4 ÷ 12	98 ÷ 190
LANDSCAPE	11,5 / 8,5	76.4	100	6 ÷ 17	120 ÷ 220
LIVORNO	11,5 / 8,5	76.4	106	6 ÷ 17	120 ÷ 220

Flue outlet	Fuel type	Flue gas flow (wood / briquette) [g/s]	Chimney draught [Pa]	Flue gas temperature [°C]	Energy class	Certificates
top, back, side	wood	9,9	12	235	A	1, 2, 3, 5, 8
top, back, side	wood	9,9	12	235	A	1, 2, 3, 5, 8
back	wood	4,3	10	294	A	1, 2, 3, 4, 5, 8
back	wood	4,3	10	294	A	1, 2, 3, 4, 5, 8
back	wood	4,3	10	294	A	1, 2, 3, 4, 5, 8
top	wood	5,6	10	280	A	1, 3, 5, 8
back	wood	4,3	10	294	A	1, 2, 3, 4, 5, 8
back	wood	4,3	10	294	A	1, 2, 3, 4, 5, 8
back	wood	7,4	12	296	A	1, 3, 5, 8
back	wood	7,4	12	296	A	1, 3, 5, 8
back	wood	7,4	12	296	A	1, 3, 5, 8
top	wood, briquette	5,9 / 6,1	10 / 12	230	A+	1, 2, 3, 5, 7, 8
top	wood	7,5	12	289	A	1, 2, 3, 5, 8
top	wood	4,4	11	271	A	1, 2, 3, 5, 8
top	wood	5,6	12	275	A+	1, 2, 3, 4, 5, 7, 8
top, back	wood	5,6	12	275	A+	1, 2, 3, 4, 5, 7, 8
top	wood	5,6	12	275	A+	1, 2, 3, 4, 5, 7, 8
top	wood	5,4	12	296	A	1, 3, 8
top	wood	5,4	12	296	A	1, 3, 8
top	wood	5,4	12	296	A	1, 3, 8
top	wood	6,9	12	271	A	1, 2, 3, 4, 5, 6, 7, 8
top, back	wood	6,9	12	202	A+	1, 2, 3, 4, 5, 6, 7, 8
top	wood	6,9	12	271	A	1, 2, 3, 4, 5, 6, 7, 8
top	wood	5,6	12	275	A+	1, 2, 3, 5, 7, 8
top	wood	5,6	12	275	A+	1, 2, 3, 5, 7, 8
top	wood, briquette	7,9 / 7,7	11 / 12	223	A	1, 2, 3, 4, 5, 7, 8
top	wood, briquette	7,9 / 7,7	11 / 12	223	A	1, 2, 3, 4, 5, 7, 8
top	wood, briquette	7,9 / 7,7	11 / 12	223	A	1, 2, 3, 4, 5, 7, 8
top	wood	5,6	12	275	A+	1, 2, 3, 4, 5, 7, 8
top	wood	5,6	12	275	A+	1, 2, 3, 4, 5, 7, 8
top	wood, briquette	7,9 / 7,7	11 / 12	223	A	1, 2, 3, 4, 5, 7, 8
top	wood, briquette	7,9 / 7,7	11 / 12	223	A	1, 2, 3, 4, 5, 7, 8
top	wood, briquette	7,9 / 7,7	11 / 12	223	A	1, 2, 3, 4, 5, 7, 8
top	wood, briquette	7,9 / 7,7	11 / 12	223	A	1, 2, 3, 4, 5, 7, 8
top	wood, briquette	7,9 / 7,7	11 / 12	223	A	1, 2, 3, 4, 5, 7, 8
top	wood	8	12	386	A	1, 3, 5, 8
top	wood	8	12	386	A	1, 3, 5, 8
top	wood	8	12	386	A	1, 3, 5, 8
top	wood	5,6	12	275	A+	1, 2, 3, 5, 7, 8
top	wood, briquette	7,9 / 7,7	11 / 12	223	A	1, 2, 3, 5, 8
top	wood, briquette	7,9 / 7,7	11 / 12	223	A	1, 2, 3, 5, 8
top	wood, briquette	7,9 / 7,7	11 / 12	223	A	1, 2, 3, 5, 8
top	wood	8	12	386	A	1, 3, 5, 8
top	wood	8	12	386	A	1, 3, 5, 8



© THORMA Výroba s.r.o.  
Šávoľská cesta 1, 986 01 Fiľakovo

[www.thorma.sk](http://www.thorma.sk)